

30MM DIAMETER Fan Range

General Arrangement

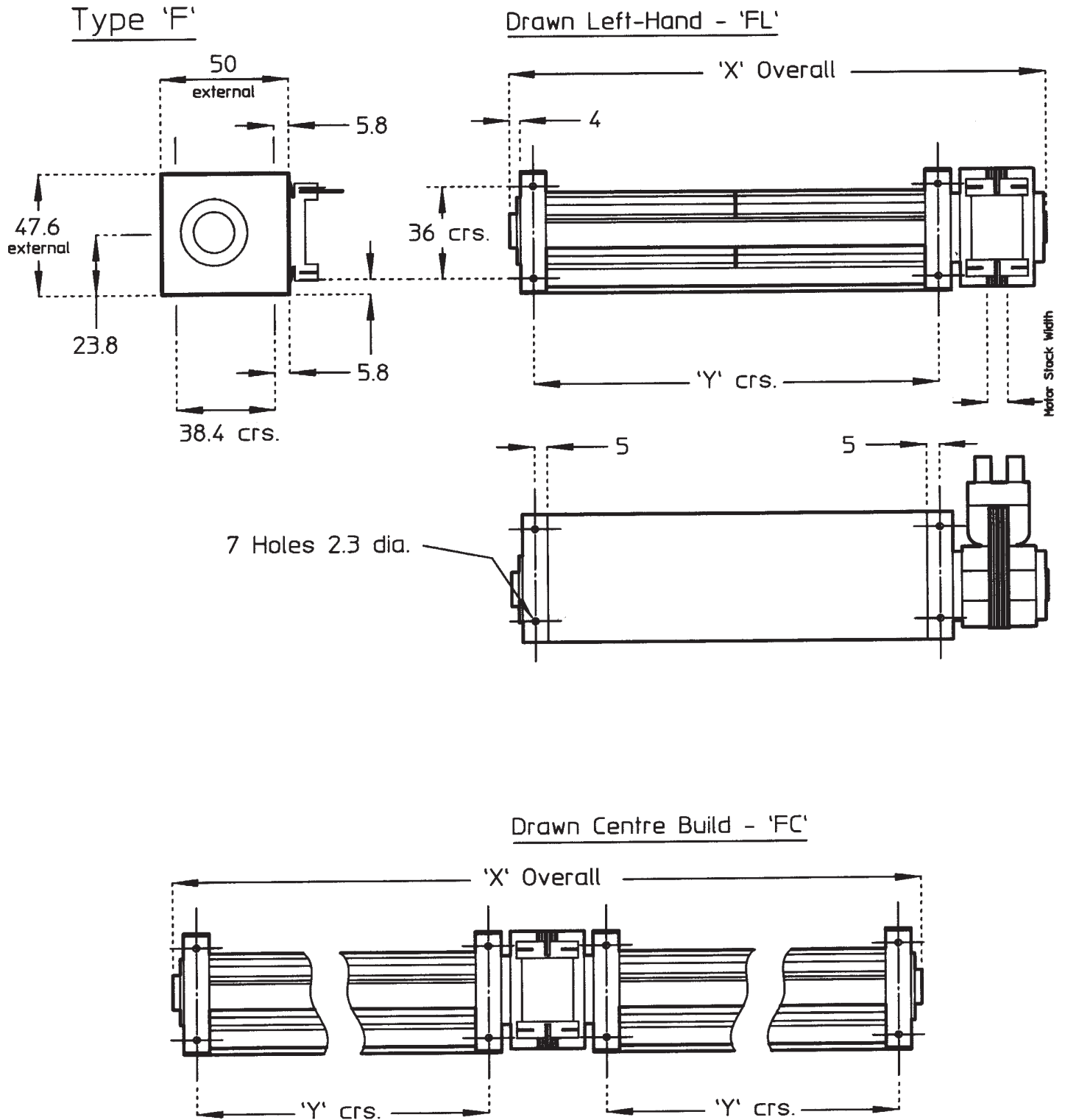


Table Range Code: F

Product Data Table

Style L,R or C (see GA)	Impeller Length (mm)	Motor Stack Width (mm)	Motor Code	Free Air Flow (L/S)	Max Static Pressure (mm H ₂ O)	Free Air Speed (rpm)	Overall Length 'X' ±0.5mm (see GA)	Fixing Centres Dimension 'Y' ± 0.5mm (see GA)
L,R	75	8.0	D	5	0.75	2100	134.0	83.5
L,R	150	8.0 12.0	D D	8 12	1.0 1.2	1850 2400	208.0 212.0	157.0
L,R	200	12.0 18.0	D D	14 18	1.2 1.3	2300 2500	262.0 268.0	207.0
L,R	230	12.0 18.0	D D	17 20	1.2 1.3	2200 2450	292.0 298.0	237.0
L,R	300	18.0	D	23	1.3	2400	375.0	312.0
L,R	(200 + 200) 400	18.0	D	23	1.3	2300	488.0	207 + 207
C	150/150	18.0	D	22	1.3	2400	388.0	157/157
C	200/200	18.0	D	23	1.3	2300	488.0	207/207

Fan units can be supplied chassis mounted if required