

## Specifications



| DIMENSIONS                 |                                       |
|----------------------------|---------------------------------------|
| Model                      | LTR07N                                |
| Height:                    | 795 mm                                |
| Width:                     | 530 mm                                |
| Depth:                     | 120 mm                                |
| Weight:                    | 5.5 kg                                |
| ELECTRICAL                 |                                       |
| Wattage:                   | 60-65 W                               |
| Supply:                    | 230-240 Volts ac 50 Hz, single phase  |
| Ingress Protection Rating: | IP34 – Splashproof – Double Insulated |

Consort reserve the right to alter specifications without notice.

## Guarantee

This guarantee is offered to you as an extra benefit and does not affect your legal rights.

All electrical appliances produced for the Company are guaranteed for one year against faulty material or workmanship. This applies only if the appliance has been used for purposes in accordance with the instructions provided and has not been connected to an unsuitable electricity supply, or subject to misuse, neglect, damage or modified or repaired by any person not authorised by us.

The correct electricity supply voltage is shown on the rating label attached to the appliance.

## CUSTOMER HELPLINE

Should you need any advice on the use of your new Consort product, or should you require service or repair, please contact our Helpline:

**☎ 01646 692172** Mon to Fri 8.30 am to 3.30 pm

**Consort Equipment Products Limited**

Thornton Industrial Estate, Milford Haven  
Pembrokeshire, SA73 2RT

Fax: 01646 695195

Email: [enquiries@consortepl.com](mailto:enquiries@consortepl.com) Web: [www.consortepl.com](http://www.consortepl.com)

46000129 – Iss 03

# CONSORT

## Operating & Installation Instructions

# Heated Ladder Towel Rail

## LTR07N



Please retain this leaflet for future reference

## Installation

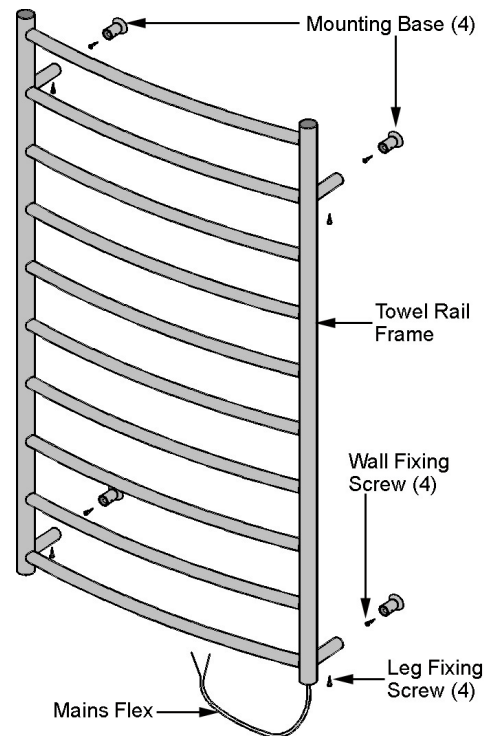
The supply circuit must be adequate for the input of the appliance and the towel rail must be connected via a fused, double pole, switched, (having a contact separation of at least 3 mm in each pole), flexible cable outlet and fitted with a 3 Amp fuse or via a plug and socket. The towel rail must be connected in accordance with the latest IEE Regulations and fitted by a competent electrician.

**IMPORTANT:** When installed in a bathroom, the unit must not be connected via a plug and socket. The towel rail must also be located in the appropriate zone of the bathroom, in accordance with section 601 of the Wiring Regulations BS 7671:1992 (Amendment 10983).

**NOTE:** This class II appliance does NOT require Earthing. The side frames of the Heated Towel Rail should be mounted vertically with the curved rungs horizontal. The Heated Towel Rail should be positioned at least 300mm above floor level, with flex entry at bottom.

### To attach the Towel Rail to the wall

1. Firstly establish a suitable position on the wall for attaching the Towel Rail, preferably with at least two leg Mounting Bases aligned with wall studs or dwangs. Mark the location of ONE of the Mounting Bases on the wall.
2. Drill a hole centrally at the marked location and fix Mounting Base to the wall, either with a wall fixing screw (supplied) or a suitable wall fixing plug.
3. Attach the adhesive tape (supplied) to the back of remaining three Mounting Bases, and remove the protective paper backing.
4. Insert remaining three Mounting Bases into the frame legs. Ensure the rectangular fixing slot, in each Mounting Base, faces downwards so as to correctly align with the fixing hole in each frame leg.
5. Position the corresponding Towel Rail frame leg onto the Mounting Base already screwed to the wall. If necessary use a level to align the Towel Rail in the desired position, before pressing firmly against the frame. Ensure the remaining three Mounting Bases adhere to the wall.
6. Pull the frame away, leaving the Mounting Bases attached to the wall.
7. Drill and fasten the remaining three Mounting Bases to the wall, either with the fixing screws supplied or with suitable wall fixing plugs.
8. Refit Heated Towel Rail frame over the Mounting Bases, and lock in place with the four leg fixing screws (supplied) through the underside of each leg.
9. Either connect the Mains Flex provided, to a suitable three pin plug, or if installed in a bathroom, have an authorised person connect it to a switched permanent connection unit.



## Operation

Your Consort Heated Ladder Towel Rail costs approximately the same to run as a 100 Watt light bulb. It will take approximately ¾ hour to reach operating temperature and, if need be, can be left running continuously.

## Care

The Heated Towel Rail is best wiped down from time to time with a damp cloth. Do not use any abrasive or corrosive cleaners.

## Safety Information

When using any electrical appliance, basic safety precautions should always be observed. Read these instructions carefully, and retain for future reference:

**NOTE:** The appliance is not intended for use by persons (including children) with reduced physical, sensory or mental capabilities, or lack of experience and knowledge unless they have been given supervision or instruction concerning use of the appliance by a person responsible for their safety.

Children should be supervised to ensure that they do not play with the appliance.

- This appliance is intended to dry towels and therefore is hot to the touch. When used by or near young children or infirm persons, close supervision is necessary. Young children should be supervised to ensure that they do not play with the appliance.
- Any rise in ambient temperature is directly reflected in the appliance, and as a result of this the appliance will feel hotter to the touch during warmer periods. Also the insulation effect of towels will cause the operating temperature to increase slightly.
- Do NOT use this appliance other than for its intended use.
- To avoid a hazard this heated towel rail MUST NOT be used to carry towels or any other articles that have been in contact with oil, petroleum based products or dry cleaning fluids.
- Use this appliance only on the voltage specified on the rating label.
- Regulations require that electrical work be carried out only by authorised persons. For your own safety and that of others, ensure this is done.
- Do NOT immerse in any liquid.
- Do NOT allow the supply cord to come into contact with heated surfaces during operation.
- Special purpose tools are required for replacement of the power supply cord and element. For service, contact your nearest Authorised Service Agent.

**CAUTION:** If this appliance is supplied from a cord extension set or an electrical portable outlet device, the cord extension set or electrical portable device must be positioned so that it is not subject to splashing or ingress of moisture.

### If your towel rail does not work

- Check that the fuse has not blown at the flex outlet, in the plug or at the distribution board.
- Do NOT attempt to repair the towel rail.

Should none of the above remedies work then consult an accredited service agent. If the appliance is still under guarantee, return it to your supplier.